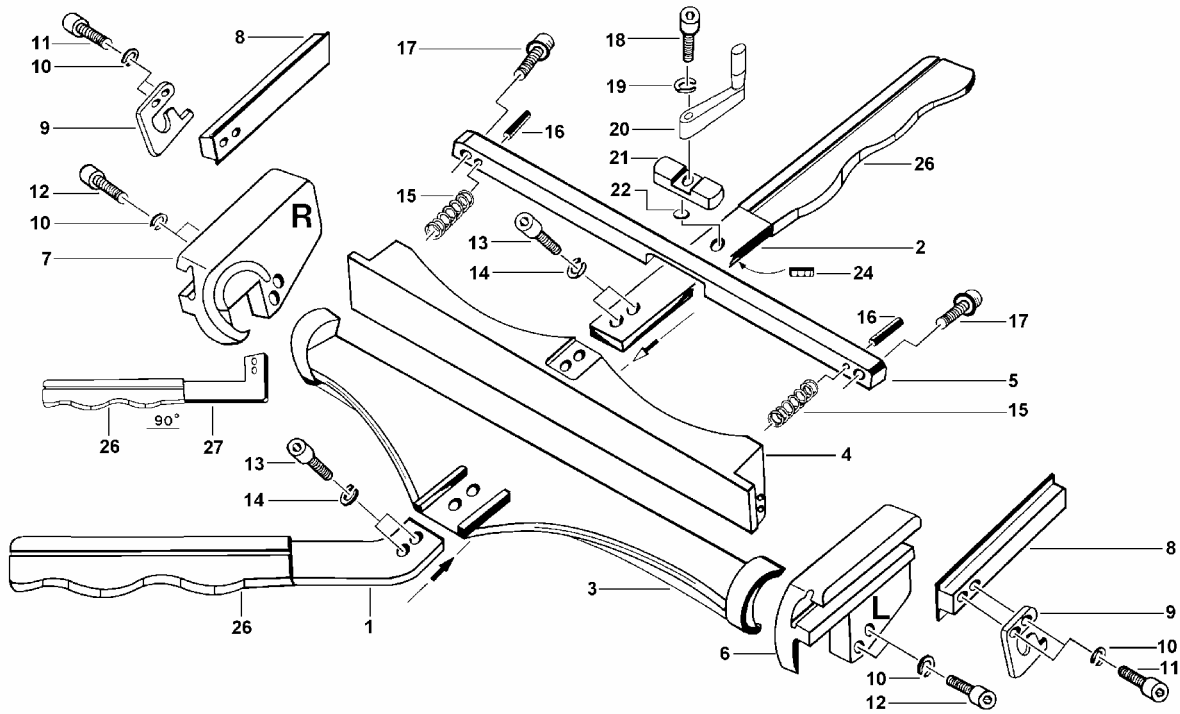


... the total roofing system from coil to roof



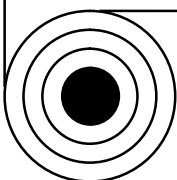
Spareparts K7-1



No.	Item	Pcs.	New Order-No.	Order-No. replaced
1	Closing handle	1	KH70025	70025
2	Fixed pivot handle	1	KH70022-1	70022
3	Closing pivot	1	KH70002	70002
4	Angle pivot	1	KH70001	70001
5	Aluminium bracket	1	KH70021	70021
6	Side plate left	1	KH70003	70003
7	Side plate right	1	KH70004	70004
8	Brass bracket	2	KH70006	70006
9	Lock plate	2	KH70005	70005
10	Spring washer	4	81243	70016
11	Screw	4	81181	70012
12	Flat Fillister Head Screw	4	81195	70013
13	Screw	4	81225	70015
14	Spring washer	4	81224	70018
15	Spring	2	KH70007	70007
16	Pin	2	81258	70008
17	Pin screw	2	81241	70027
18	Screw	1	81085	70014
19	Washer	1	81073	70020
20	Eccentric lever	1	KH70068	70010
21	Plastic eccentric	1	KH70009-1	70009
22	Washer	1	81057	70023
24	Hex. nut	1	81095	70019
26	Black handle	2	KH70024	70024
27	Closing handle 90° angle	1	KH70008	70523

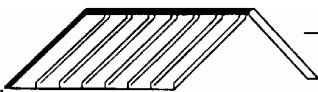
Order Number for Handseamer K7-1 **91515-1**

18.06.03ka



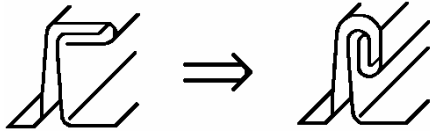
Max Draenert GmbH & Co.KG Electric - Cordless - Pneumatic Tools - Machines Germany

Factory I : Administration D - 73777 Deizisau P.O. Box 1120 Phone + 49 (0) 7153-8217-0
 Manufacturing Shears D - 73779 Deizisau Gutenbergstr. 15-17 Fax + 49 (0) 7153-8217-66
Factory II : Manufacturing Roofing System D - 73779 Deizisau Seewiesenweg 1
 INTERNET <http://www.dracotools.com> E-mail: draenert@dracotools.com



Handseamer K7-1 for Double Lock Seam

i This handseamer K7-1 is used for closing a standing seam into a double lock seam.



Function

The handseamer K7-1 closes a standing seam into a double lock seam in one operation. This tool is simple to use, for Aluminium-, Copper-, Metal-, Zinc, Plastic coated or pre-painted materials up to a thickness of 0,8 mm, stainless steel up to 0,6 mm, without marking, damaging, uncoated, coated or painted panels.

Operation

- Move eccentric to open position, with eccentric lever parallel to seam (pict. 1).
- Closing handle in open position (pict. 1).
- Place handseamer K7-1 with fixed pivot against over cloak (pict. 2).
- Close eccentric lever, ensure both hooks are clamped under the standing seam (pict. 2).
- Hold down fixed pivot handle and move closing handle to forward position, to make a double lock seam (pict. 2+3).
- Open closing handle again (pict. 1).
- Open eccentric (pict. 1).
- Lift and advance handseamer K7-1 about 1/2 the width of K7-1 along the panel and repeat:
- Close eccentric to engage the hooks, depress closing handle completely down to close the double lock seam

i If it is difficult to use handseamer K7-1 in hard to get at places, like chimney - windows etc. the closing handle can be changed to a 90° closing handle order nr. KH70008

Maintenance

Both side plates (pos. 6+7) should be lubricated with grease periodically (pict. 3).
The handseamer K7-1 is a precision tool making replacements easy (see spare parts list), it's light in weight and manufactured from non-rusting materials.

